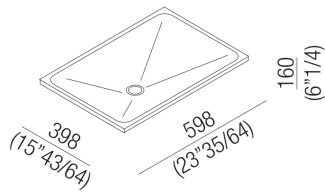




Washbasins Raso
ACER0810Z

Benedini Associati, 2003

built-in washbasin



Finishes



White Exmar
ACER0810Z

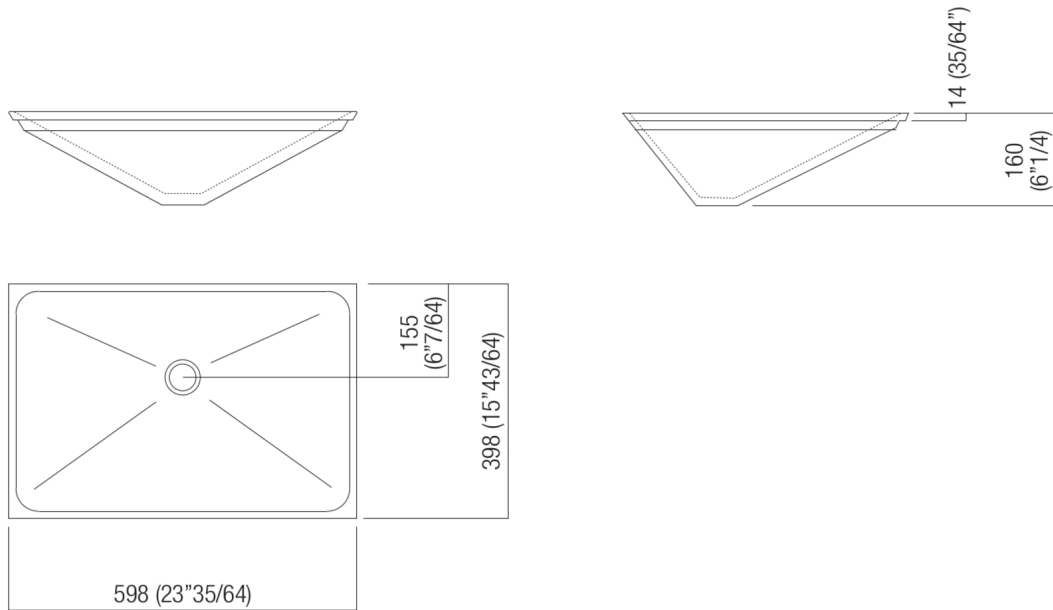
built-in washbasin in white Exmar without tap hole and overflow. Designed for waste .MET0563.

Materials used: Exmar.

Width:	58.0 cm	22" 7/8 inches
Height:	16.0 cm	6" 1/4 inches
Depth:	38.0 cm	15" inches
Packaging measurements:	cm	inches
Weight with packaging:	kg	lbs

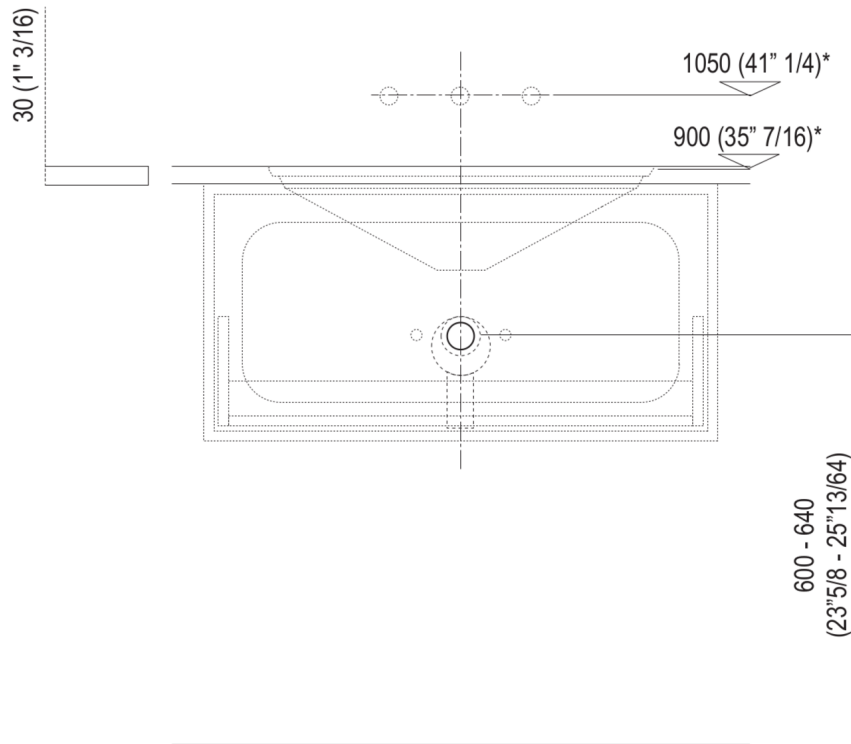


Main dimensions





Installation notes: countertop to be rested on cabinet with thickness cm 3 (1"3/16)

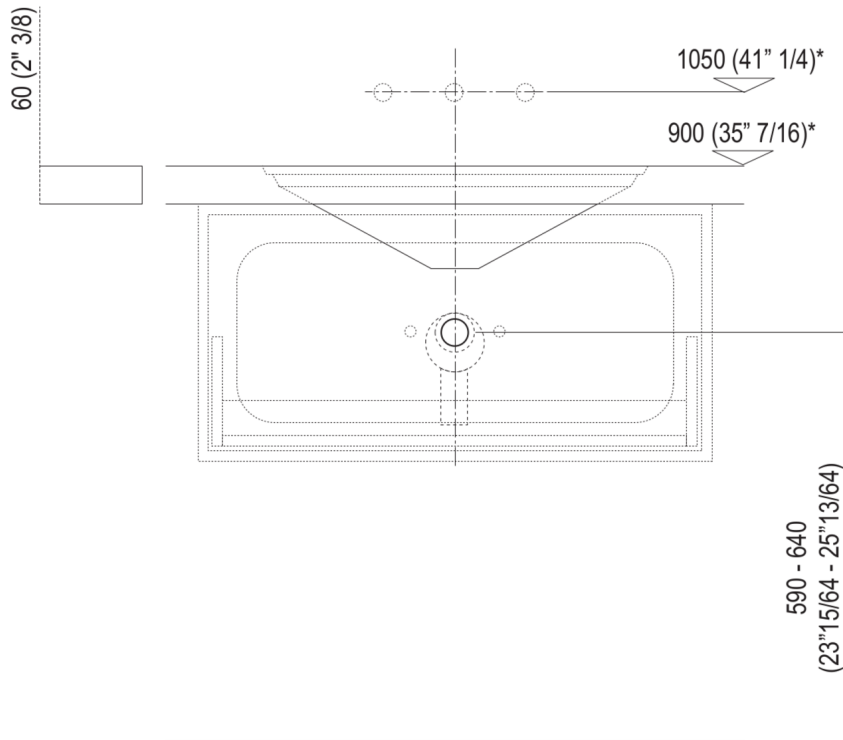


Scarico per sifone a bottiglia e ad incasso
 Drain for bottle trap and concealed waste trap

*h.consigliata / advised h.



Installation notes: countertop to be rested on cabinet with thickness cm 6 (2"3/8)

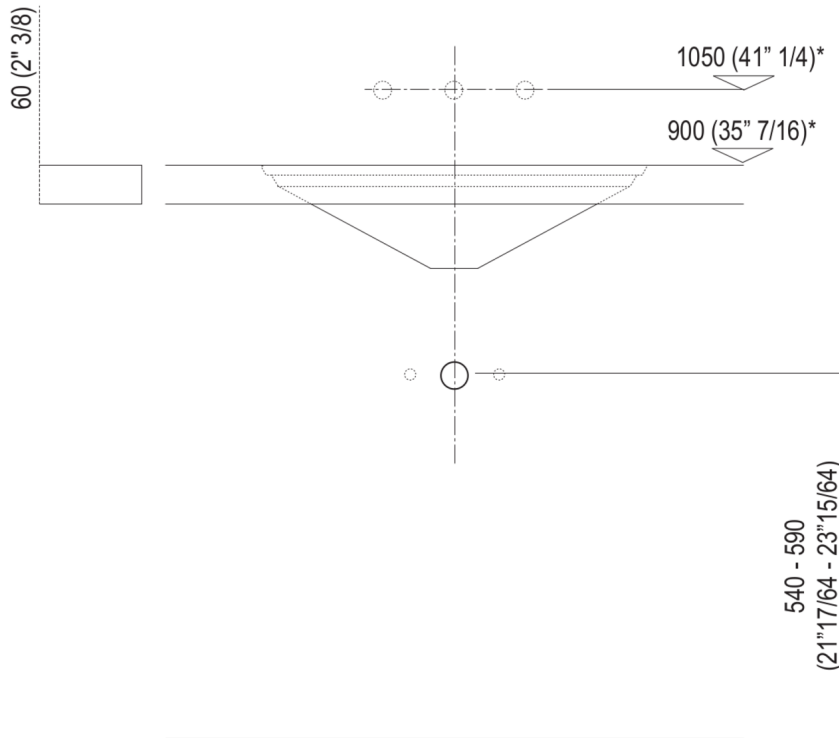


Scarico per sifone a bottiglia e ad incasso
Drain for bottle trap and concealed waste trap

*h.consigliata / advised h.



Installation notes: countertop with concealed wall fixings/freestanding with thickness cm 6 (2"3/8)

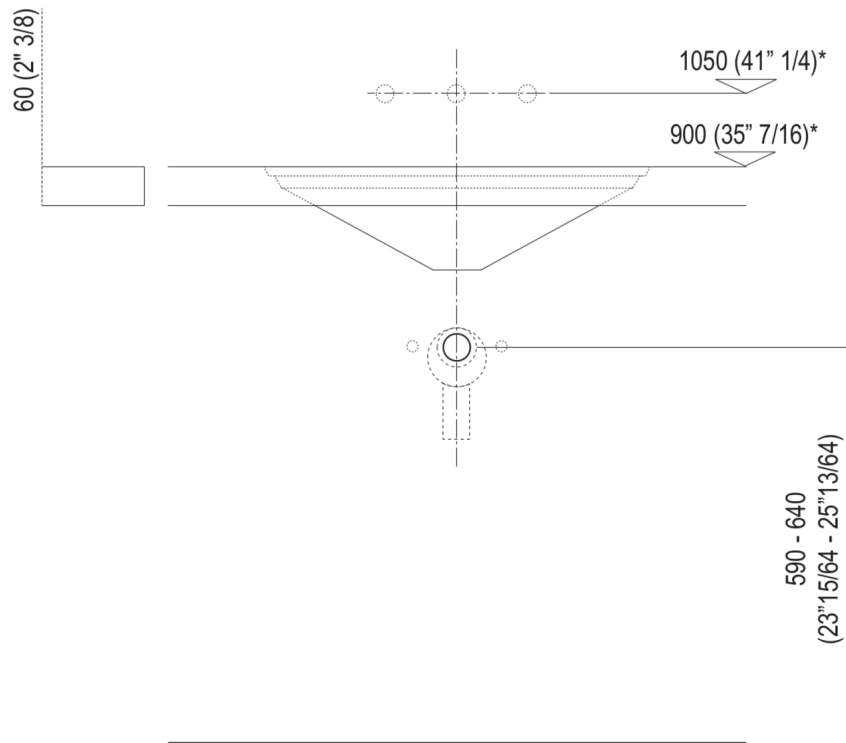


Scarico per sifone a bottiglia
Drain for bottle trap

*h.consigliata / advised h.



Installation notes: countertop with concealed wall fixings/freestanding with thickness cm 6 (2"3/8)

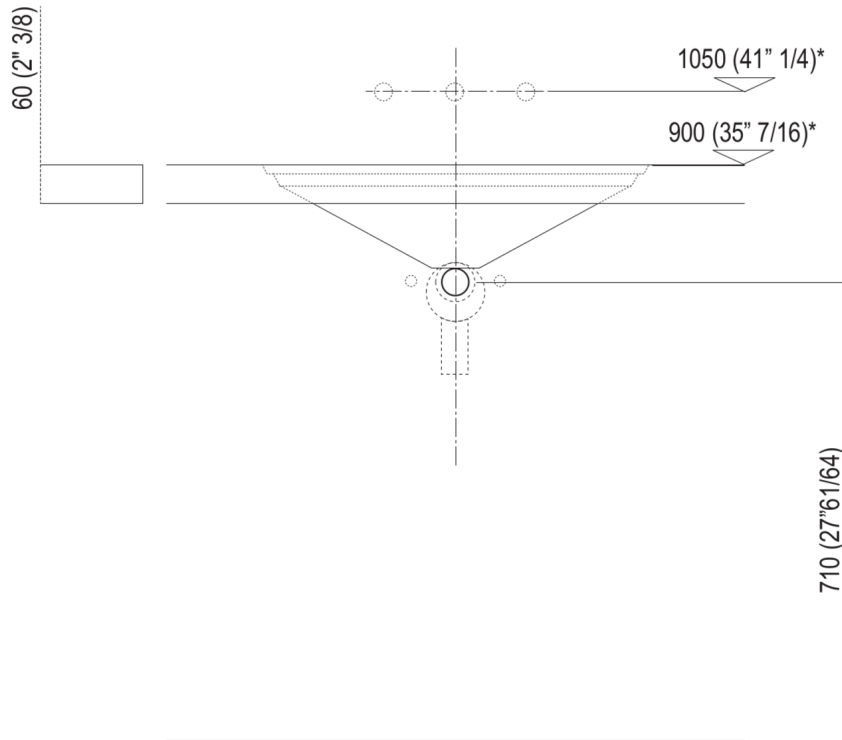


Scarico per sifone ad incasso
 Drain for concealed waste trap

*h.consigliata / advised h.



Installation notes: countertop with concealed wall fixings/freestanding with thickness cm 6 (2"3/8)

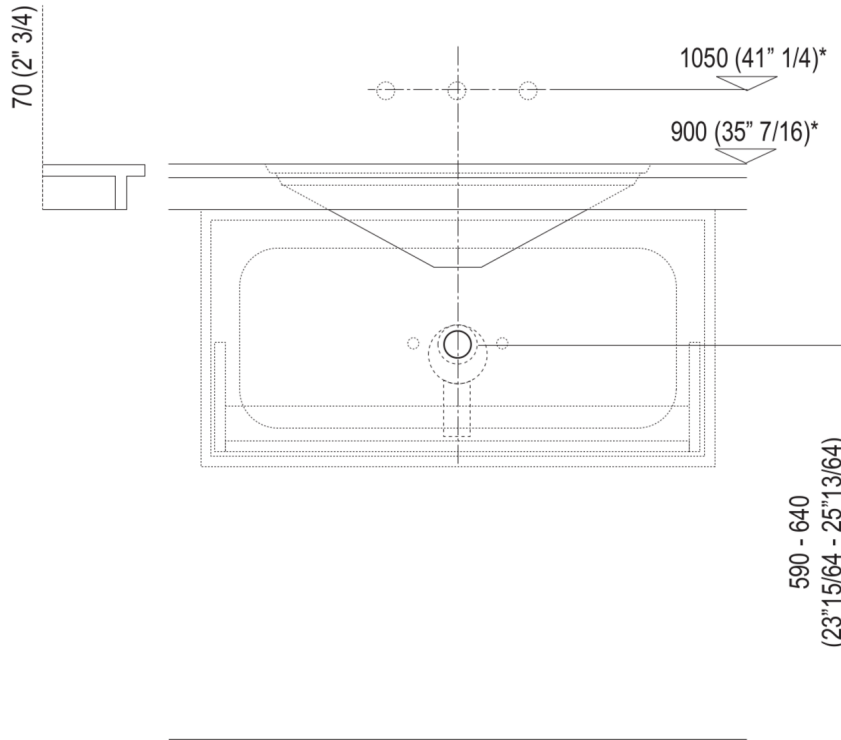


Scarico per sifone ad incasso e piletta con canotto fisso
 Drain for concealed waste trap with not adjustable pipe

*h.consigliata / advised h.



Installation notes: countertop Evoluzione



Scarico per sifone a bottiglia e ad incasso
Drain for bottle trap and concealed waste trap

*h.consigliata / advised h.

Holes for built-in washbasins and top mounted taps for to

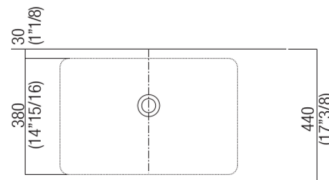
PIANO cm 40 / COUNTERTOP cm 40

Posizione standard per rubinetto su piano
Standard position for top mounted tap

Posizione standard per rubinetto a parete
Standard position for wall mounted tap

Posizione speciale per rubinetto Sen a parete e Square con bocca curva
Special position for wall mounted tap Sen and Square white curved spout

RUBINETTO SU PIANO NON POSSIBILE
TOP MOUNTED TAP NOT POSSIBLE



NON NECESSARIA
NOT NECESSARY

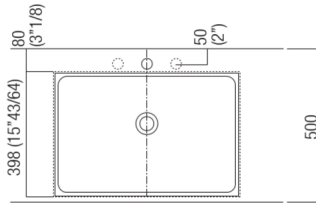
Lavabo integrato nel piano
Washbasin integrate into the countertop



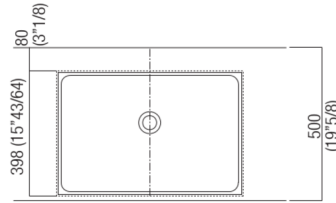
Holes for built-in washbasins and top mounted taps for to

PIANO cm 50 / COUNTERTOP cm 50

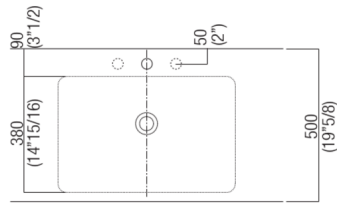
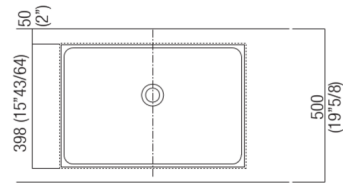
Posizione standard per rubinetto su piano
Standard position for top mounted tap



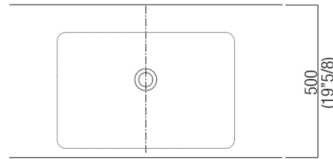
Posizione standard per rubinetto a parete
Standard position for wall mounted tap



Posizione speciale per rubinetto Sen a parete e Square con bocca curva
Special position for wall mounted tap Sen and Square white curved spout



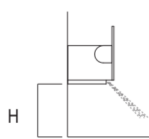
Lavabo integrato nel piano
Washbasin integrate into the countertop



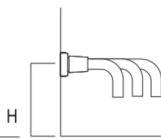
Lavabo integrato nel piano
Washbasin integrate into the countertop

NON POSSIBILE
NOT POSSIBLE

Tap position, recommended height

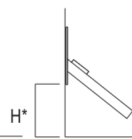


SEN
H 100/110 mm
(3 7/8-4 3/8)

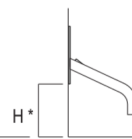


FEZ - MEMORY - SQUARE (ARUB1081) - SUITE
H 120 mm (4 3/4)

FEZ bocca / spout cm 20 (7 7/8)



SQUARE
H 120 mm
(4 3/4)



SQUARE
H 150 mm
(5 7/8)

Filo superiore lavabo
Upper wasbasin edge

* ARUB1009D - ARUB1009C: H + 25 mm (1")